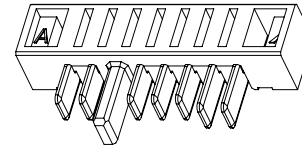


DETAIL A 4:1



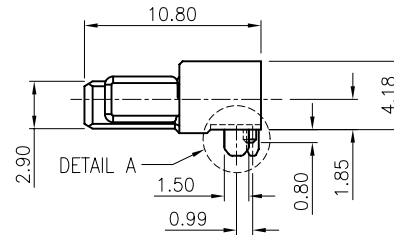
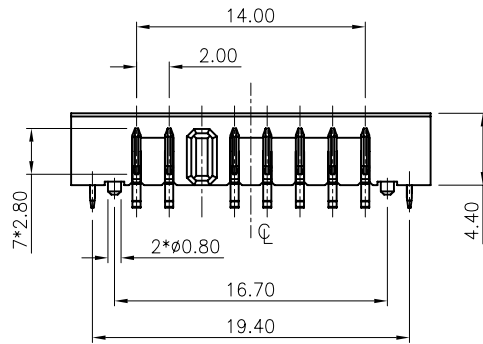
NOTES:

1. MATERIAL:
  - 1.1 HOUSING: THERMOPLASTIC, HIGH TEMP.,UL94V-0.
  - 1.2 CONTACT: COPPER ALLOY.
  - 1.3 HOOK: COPPER ALLOY.
2. FINISH:
  - 2.1 CONTACT: GOLD FLASH PLATED ON CONTACT AREA, 50u" MIN. NICKEL UNDERPLATING OVERALL.
  - 2.2 FORK: 50u" MIN. MATTE TIN PLATED OVERALL, 50u" MIN. NICKEL UNDERPLATING OVERALL.
3. REFLOW SOLDER CAPABLE TO 260°C PER ACES SPEC.
4. SPEC.PLS REFER TO PS-53007-XXXX-XX
5. PACKAGE PLS REFER TO 54964-XXXX-XX-TRP
6. PART NUMBER

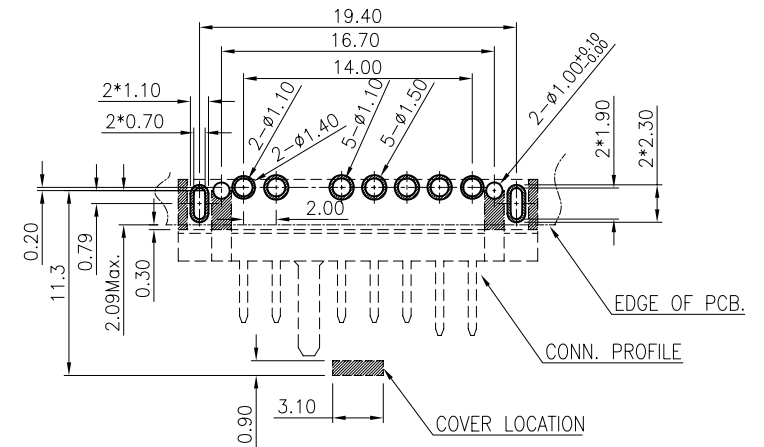
54964-XXX X X-XXX

NO OF CKT	XXX	HOUSING/COLOR	COVER/COLOR
007:7PIN	001	LCF/BLACK	WHITE

PACKING PLATING  
7:TAPE & REEL WITH COVER 1: GOLD FLASH

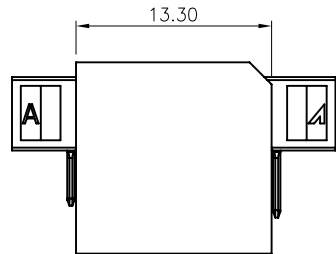


DETAIL A

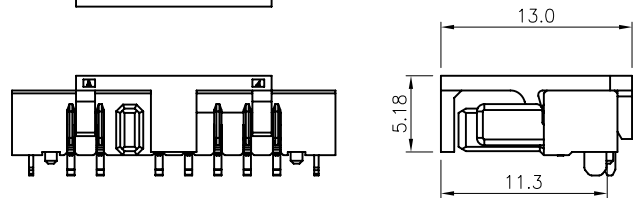


RECOMMENDED P.C.B. LAYOUT

TOLERANCE ±0.05 mm  
P.C.B. THICKNESS=1.20mm



WITH COVER VIEW



一般公差 <b>TOLERANCES</b> X ±0.5 XX ±0.15 X ±0.25 XXX ±0.1 ANGLES ±2°	<b>宏致電子股份有限公司</b> <b>Aces Electronics Co.,Ltd.</b>	
檢驗尺寸標示 SYMBOLS   INDICATE CLASSIFICATION DIMENSION MARK IS CRITICAL DIM. MARK IS MAJOR DIM.	品名 (TITLE) 2.00mm Battery Conn. Male DIP R/A Type H=4.18 圖號 (DWG NO.) 54964-XXXX-XXX	製圖 (DR) LIUHUA 16/06/27 審核 (CHKD) BRAVE 核准 (APPD) FRANK
表面處理 (FINISH)	比例 (SCALE) 2:1 單位 (UNITS) mm	張數 (SHEET) 1 OF 1 SIZE A4 REV 0